

KOHLER®

Brazn™

One-piece compact elongated toilet with skirted trapway, dual-flush
K-22378

Features

- One-piece toilets integrate the tank and bowl into a seamless, easy-to-clean design.
- Compact elongated bowl offers added comfort while occupying the same space as a round-front bowl.
- Standard height.
- Dual flush offers a choice of 0.8 or 1.28 gpf (3.0 or 4.8 lpf).
- Left-hand Polished Chrome trip lever.
- 2-1/8" (54 mm) glazed trapway.
- Fully skirted trapway simplifies cleaning.
- Quiet-Close™ elongated seat closes quietly.
- Coordinates with other products in the Brazn collection.



Installation

- Standard 12" (305 mm) rough-in.
- Supply line sold separately.
- Requires mounting plate 1362736 for heated seat installation.

Recommended Products/Accessories

1265114
1023457

Included Components

Additional Components:

1422723 Quiet Close Seat
Mounting Hardware Included



Codes/Standards

ASME A112.19.2/CSA B45.1
ASME A112.19.14
DOE - Energy Policy Act 1992
EPA WaterSense®
California Energy Commission (CEC)

KOHLER® Toilets and Seats Limited Warranty

See website for detailed warranty information.

Available Colors/Finishes

Color tiles intended for reference only.

Color	Code	Description
-------	------	-------------

	0	White
---	---	-------

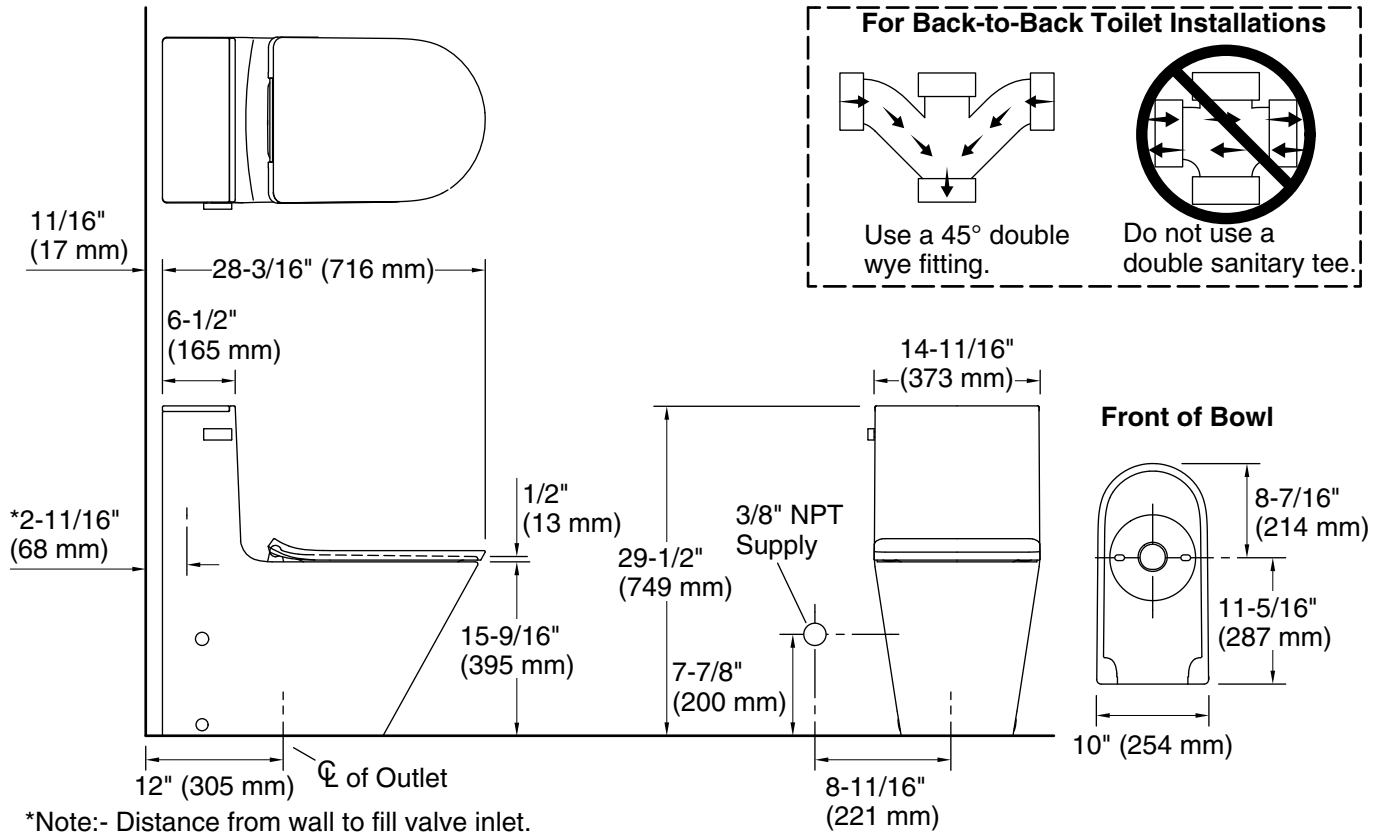
1-800-4KOHLER (1-800-456-4537)

Kohler Co. reserves the right to make revisions without notice to product specifications.

For the most current Specification Sheet, go to www.kohler.com.

10-1-2022 20:58 - US/CA

THE BOLD LOOK
OF **KOHLER**®



Technical Information

All product dimensions are nominal.

Toilet type:	Floor-mount
Waste Outlet:	Floor
Bowl shape:	Elongated
Flush type:	Siphon jet
Trap passageway:	2" (51 mm)
Water Consumption	
Full:	1.28 gpf (4.8 lpf)
Reduced:	0.8 gpf (3 lpf)
Water surface size:	7-1/2" x 5-1/4" (191 mm x 133 mm)
Rim to water surface:	6-3/16" (157 mm)
Rough-in:	12" (305 mm)
Seat-mounting holes:	5-1/2" (140 mm)
Template:	Footprint, 1385810-7, not required, included

Notes

Install this product according to the installation instructions.

Fixture Supply Requirements

1-800-4KOHLER (1-800-456-4537)

Kohler Co. reserves the right to make revisions without notice to product specifications.

For the most current Specification Sheet, go to www.kohler.com.

10-1-2022 20:58 - US/CA